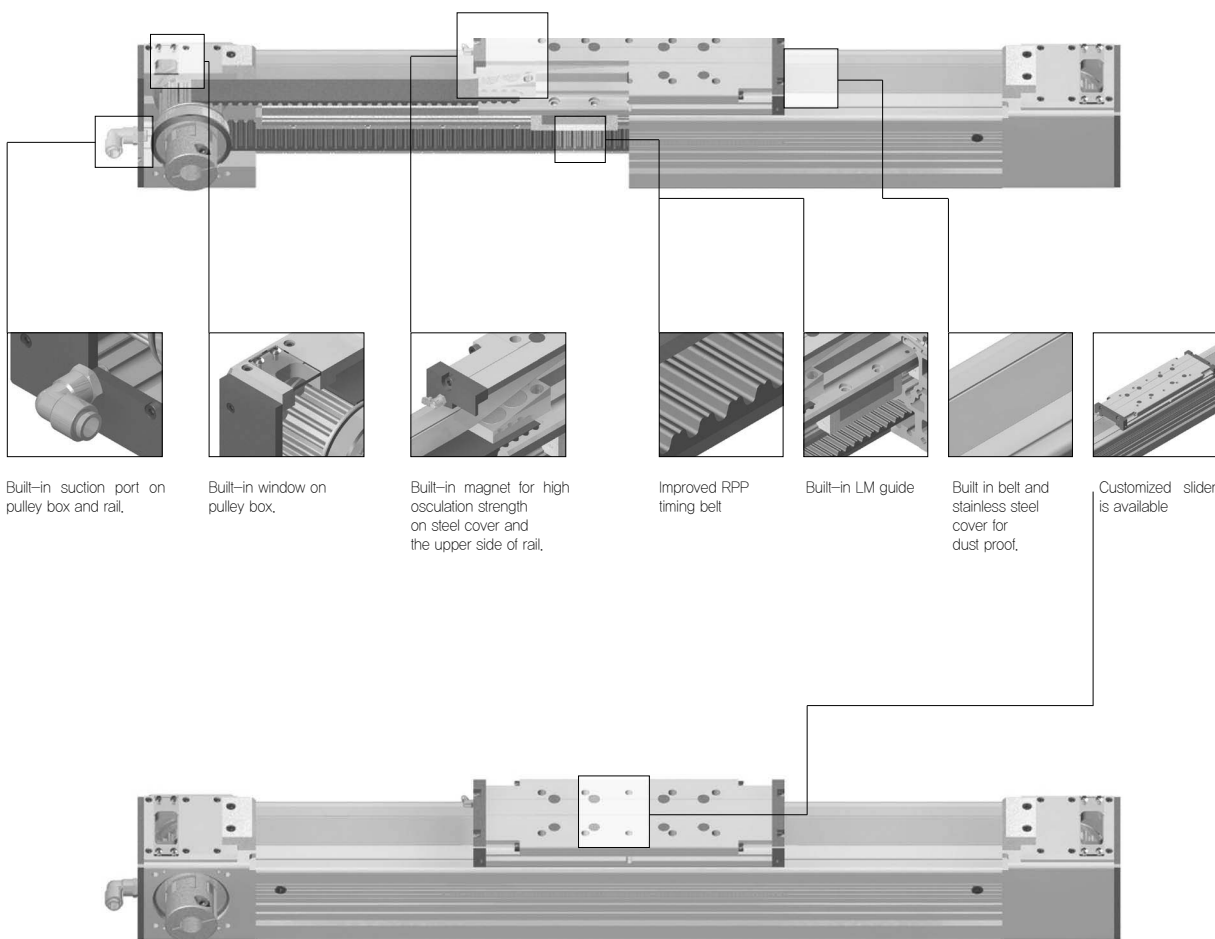
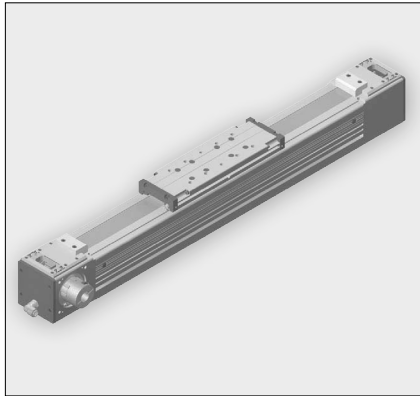


QL Series





Features

- LM Guide & Belt type
- Clean type(Class 100)
- Compact design and high stiffness
- Various axis combination
- High tensile timing belt
- Customized optoin
- Easy maintenance

How to order

QL
 60 —
 600 —
 0100 —
 L —
 C —
 D3 —
 E2 —

①
 ②
 ③
 ④
 ⑤
 ⑥
 ⑦
 ⑧
 ⑨

① **Sereis**
QL

② **Model**

60 / 80 / 100

※ LM : Please contact us for customized LM

③ **Stroke (Unit : mm)**

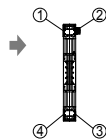
50 ~ 3500

※ Please contact us for longer stroke than standard

④ **Drive version (0:Standard, 1:Coupling type 2:Shaft type)**

TYPE	MODEL		
	60	80	100
0100	●	●	●
1100	●	●	●
2000	●	●	●
2200	●	●	●
1200	●	●	●

※ Please contact us for customized pulley type



⑤ **Color**

Blank : White(outer)
L : White + LM raydent
B : Black (outer)
BL : Black(outer) + LM raydent

⑥ **Sensor (dog included)**

Blank : None
C : Photo sensor + Basic socket – Basic 3EA
CJ : C + Cable socket 2M – Basic 3EA
Other than basic : C(J)(Qty) Example)C2,CJ2

⑦ **Mounting bracket**

Blank : None
D(Q'ty) : Necessary quantity, Example) D2,D3

⑧ **Bracket of reducer (including coupling)**

Blank : None

SYMBOL	TYPE	MODEL		
		SIZE	60	80
E1	42	●		
E2	62	●	●	
E3	90		●	●
E4	120			●

Basic option : ATG, APLUS, SESAME

⑨ **Customized code**

Sensor

Model	Item number	Sensor and connector
60	SX672-PL	 EE-SX672 + EE1001
80		
100		
60	SX672-L-PL	 EE-SX672 + EE1006
80		
100		

Sensor dog

Model	Item number	Remarks
60	PDG-QB60-PL	EE-SX672 only
80	PDG-QB80-PL	
100	PDG-QB100-PL	

Mounting bracket

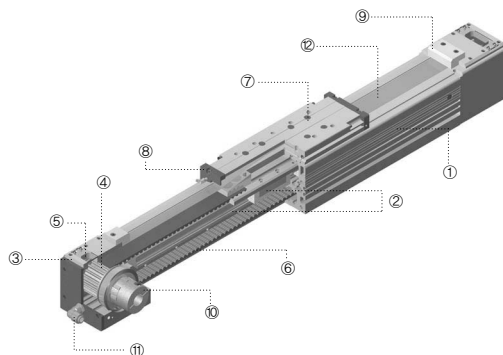
Model	Item number	Remarks
60	MBK60-PL	
80	MBK80-PL	
100	MBK100-PL	

QL specifications

Specification	QL60	QL80	QL100
Max speed (mm/s)	2000	2000	2000
Payload (kgf)	40 (horizontal)	60 (horizontal)	100 (horizontal)
Stroke (mm)	Max. 3500	Max. 3500	Max. 3500
Repeatability (mm)	± 0.05	± 0.05	± 0.05
Diameter of pulley (mm)	Ø 41.38	Ø 53.48	Ø 68.75
Pulley action perimeter (mm/rev)	130	168	216
No load torque (Nm)	1.0	1.4	1.8
Belt	RPP5 / W20	RPP8 / W25	RPP8 / W45
LM Guide	NO.15 / 1 Rail 2 Block	NO.20 / 1 Rail 2 Block	NO.30 / 1 Rail 2 Block
Basic weight (kgf)	4.2	11.3	20.5
Weight per 100mm stroke (kgf)	0.55	1.13	1.6
Motor (W)	200	400	750
Size (mm, W x H)	60 x 80	80 x 105	100 x 130

Note) Customized options such as motor, raydent and LM guide are available.

QL structure



► Component list

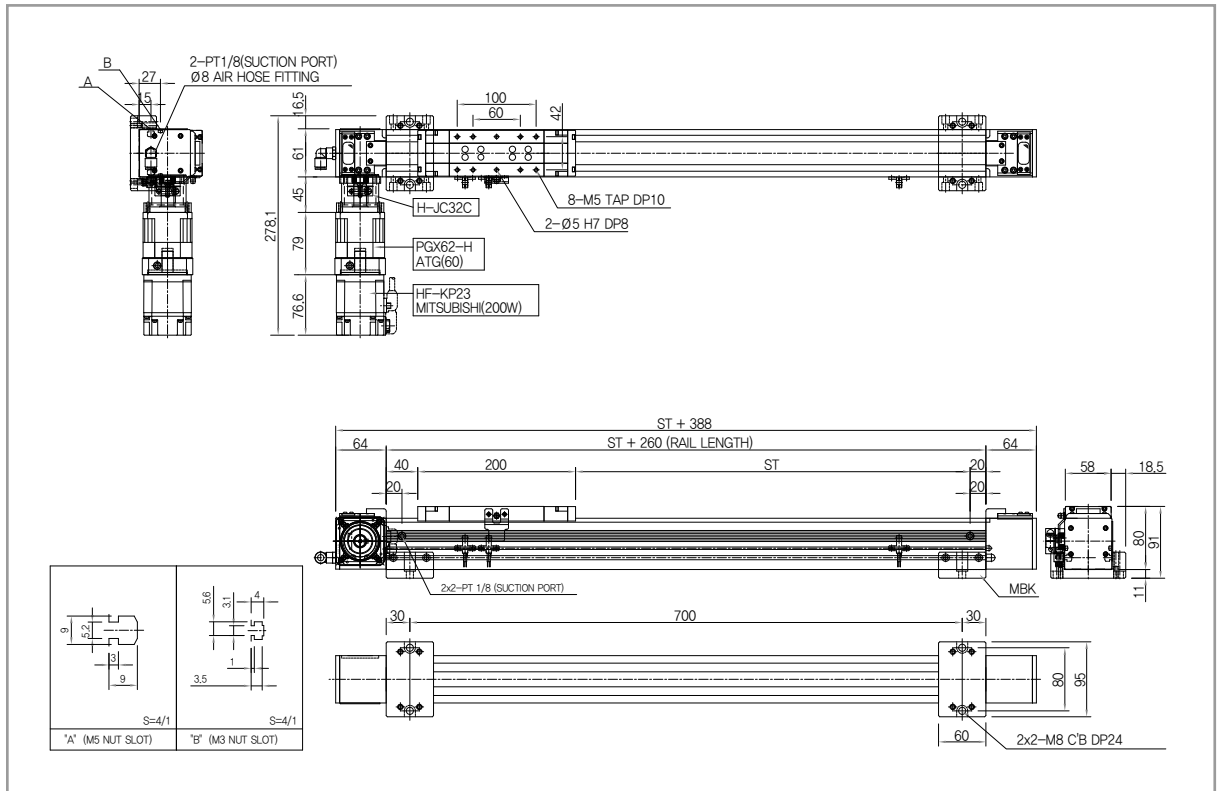
No	Component name		Material	No	Component name	Material
1	Rail		Aluminum alloy	7	Slide block	Aluminum alloy
2	Model	LM GUIDE		8	Grease nipple	
	60	No.15 / 1RAIL 2BLOCK				
	80	No.20 / 1RAIL 2BLOCK				
	100	No.30 / 1RAIL 2BLOCK				
3	Pulley box		Aluminum alloy	9	Stopper	Urethane
4	Timing pulley		High carbon steel	10	Coupling	Aluminum alloy
5	Window		PC	11	Suction port	
6	Timing belt		Aluminum alloy	12	Steel cover	Stainless steel

QL 60

Basic specifications

Model	Stroke (mm)	Gear Ratio	Speed (mm/s)	Motor (W)	Max. Payload(kg)	
					Horizontal(0.3G)	Horizontal(0.5G)
QL60	50~3500	20	330	200	70	60
		10	650		50	40
		5	1300		15	12

QL60



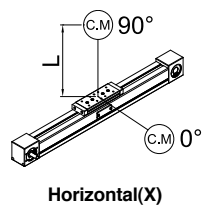
- Please contact us to change sensor or motor options.
- Customized tap or pin pitch on the bottom is available.

Weight & speed for each stroke

Stroke(mm)	1000	1100	1200	1300	1400	1500	1600	1700	1800	1900	2000	2200	2400	2600	2800	3000	Gear ratio	Motor (W)
Weight(kg)	9.7	10.3	10.8	11.4	11.9	12.5	13.0	13.6	14.1	14.7	15.2	16.3	17.4	18.5	19.6	20.7		
Max. Speed (mm/s)																	20	200
																	10	
																	5	

Note) The weight of motor and reducer is not included.

Allowable overhang distance

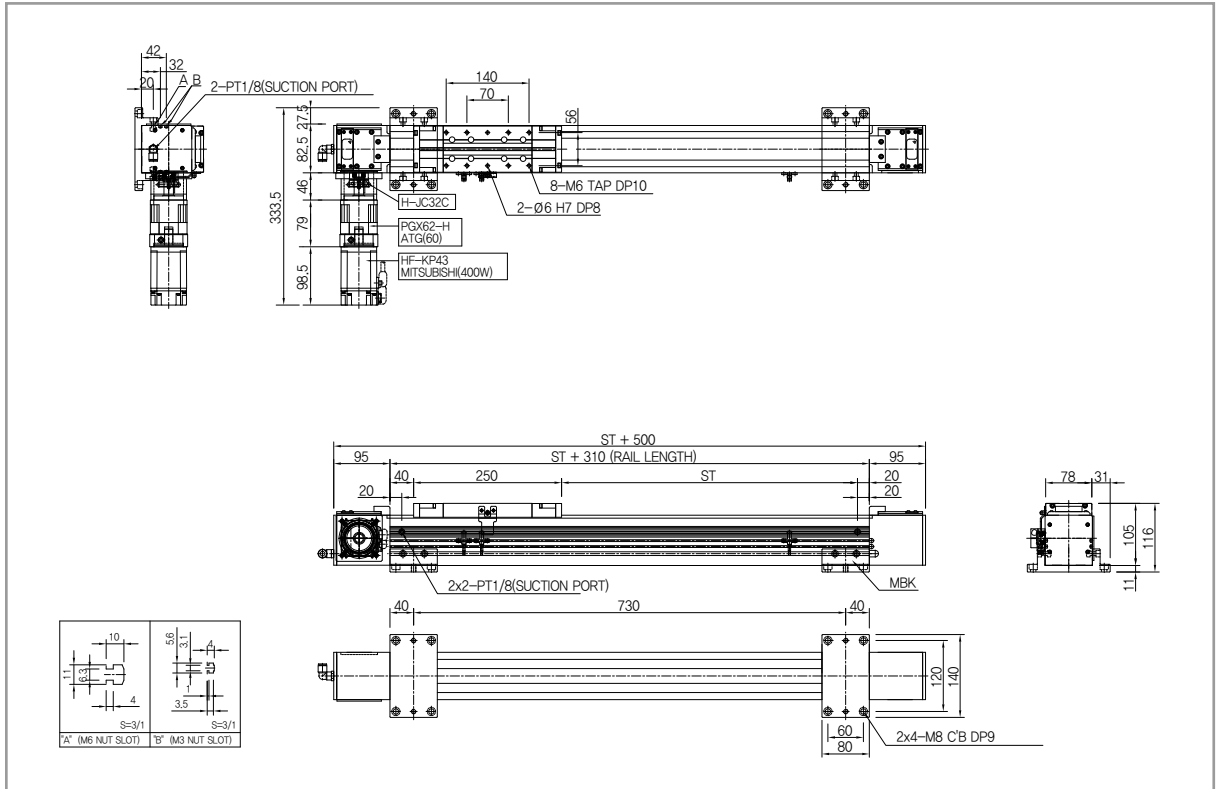


Gear Ratio	Payload	0°		90°	
		0°	90°	0°	90°
20	40 kg	20 mm	750 mm		
	20 kg	50 mm	1000 mm		
10	30 kg	15 mm	400 mm		
	15 kg	40 mm	600 mm		
5	12 kg	20 mm	400 mm		
	6 kg	40 mm	600 mm		

Basic specifications

Model	Stroke (mm)	Gear Ratio	Speed (mm/s)	Motor (W)	Max. Payload(kg)	
					Horizontal(0.3G)	Horizontal(0.5G)
QL80	50~3500	20	420	400	110	80
		10	840		70	60
		5	1680		25	20

QL80



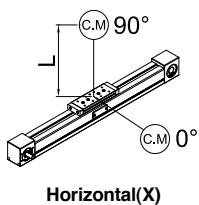
- Please contact us to change sensor or motor options.
- Customized tap or pin pitch on the bottom is available.

Weight & speed for each stroke

Stroke(mm)	1000	1100	1200	1300	1400	1500	1600	1700	1800	1900	2000	2500	3000	3500	4000	Gear ratio	Motor (W)
Weight(kg)	22.6	23.7	24.9	26.0	27.1	28.3	29.4	30.5	31.6	32.8	33.9	39.6	45.2	50.9	56.5		
Max. Speed (mm/s)																20	400
																10	
																5	

Note) The weight of motor and reducer is not included.

Allowable overhang distance



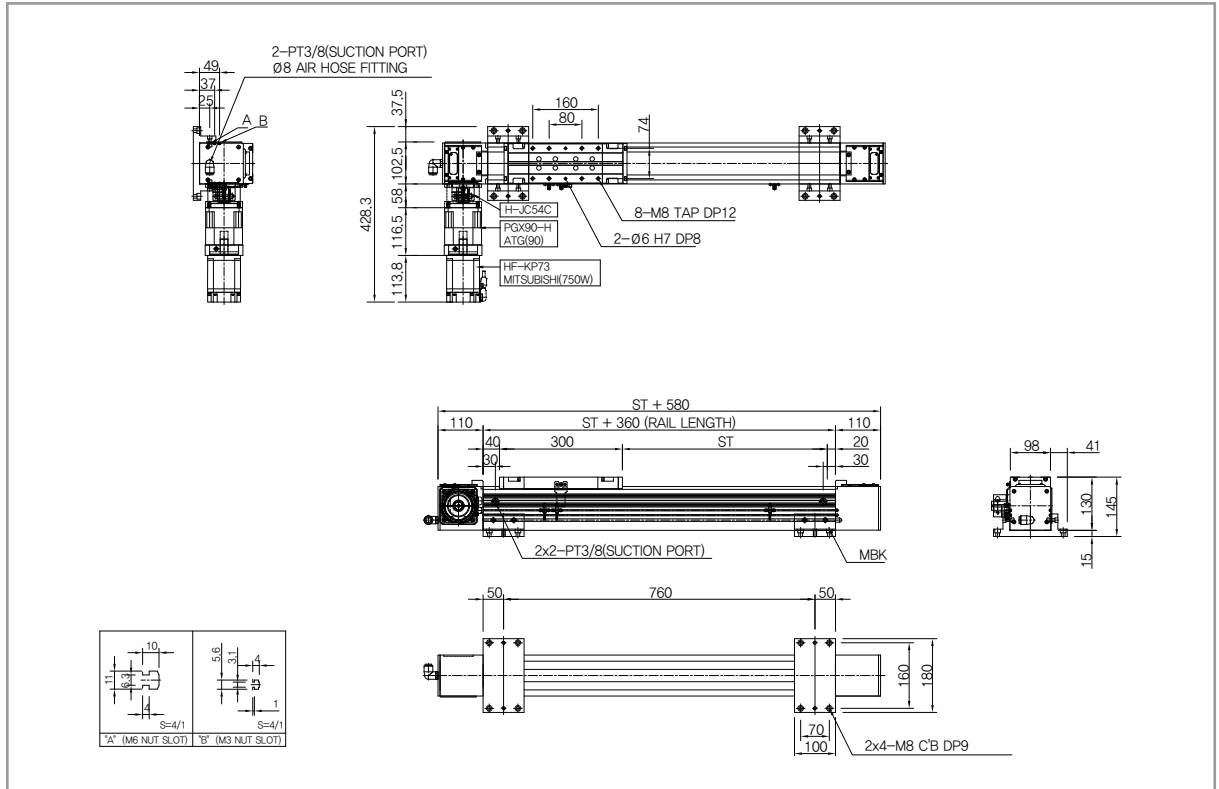
Gear Ratio	Payload	0°	90°
20	80 kg	20 mm	500 mm
	40 kg	40 mm	800 mm
10	50 kg	20 mm	200 mm
	25 kg	40 mm	500 mm
5	20 kg	20 mm	350 mm
	10 kg	50 mm	550 mm

QL 100

Basic specifications

Model	Stroke (mm)	Gear Ratio	Speed (mm/s)	Motor (W)	Max. Payload(kg)	
					Horizontal(0.3G)	Horizontal(0.5G)
QL100	50~3500	20	540	750	150	120
		10	1080		80	70
		5	2160		40	35

QL100



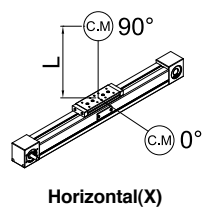
- Please contact us to change sensor or motor options.
- Customized tap or pin pitch on the bottom is available.

Weight & speed for each stroke

Stroke(mm)	1000	1100	1200	1300	1400	1500	1600	1700	1800	1900	2000	2500	3000	3500	4000	4500	5000	Gear ratio	Motor (W)		
Weight(kg)	36.5	38.1	39.7	41.3	42.9	44.5	46.1	47.7	49.3	50.9	52.5	60.5	68.5	76.5	84.5	92.5	100.5			20	750
Max. Speed (mm/s)																		540	10		
																		1080			
																		2160		5	

Note) The weight of motor and reducer is not included.

Allowable overhang distance



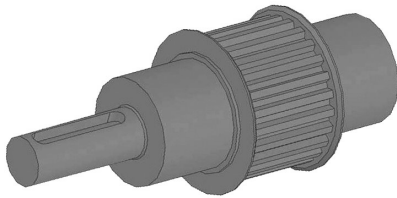
Gear Ratio	Payload	0°		90°	
		0°	90°	0°	90°
20	120 kg	25 mm	300 mm	25 mm	300 mm
	60 kg	60 mm	800 mm	60 mm	800 mm
10	70 kg	25 mm	300 mm	25 mm	300 mm
	35 kg	60 mm	600 mm	60 mm	600 mm
5	30 kg	25 mm	300 mm	25 mm	300 mm
	15 kg	60 mm	500 mm	60 mm	500 mm

QL PULLEY OPTION

PULLEY OPTION

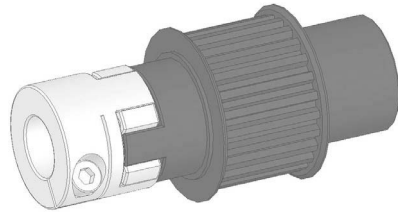
PSH Type

One body type pulley that having driving shaft



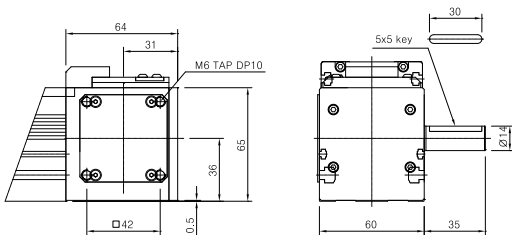
PCP Type

This type pulley is joined with Jaw-coupling directly and supplied with coupling.

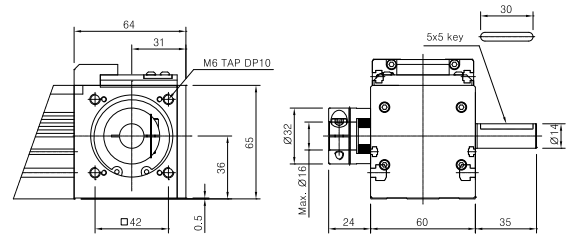


■ Pulley of QL60

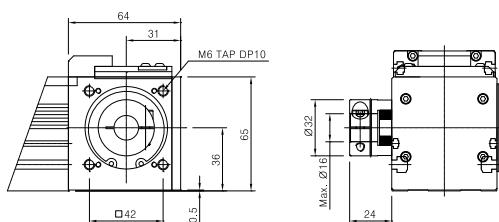
PSH-S (QB60-18A)



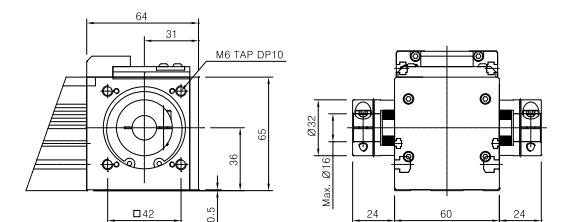
PSH-C (QB60-20A)



PCP-S (MB60-21A)

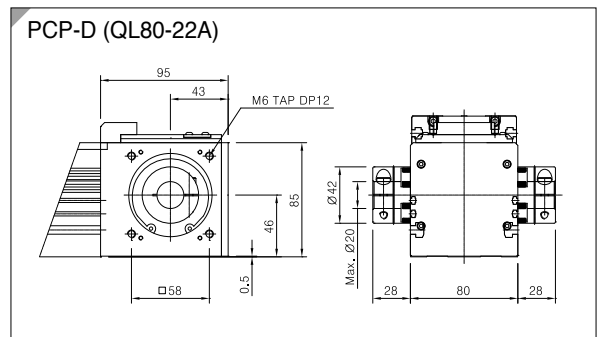
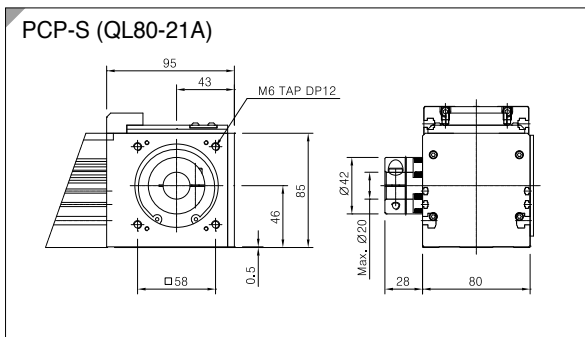
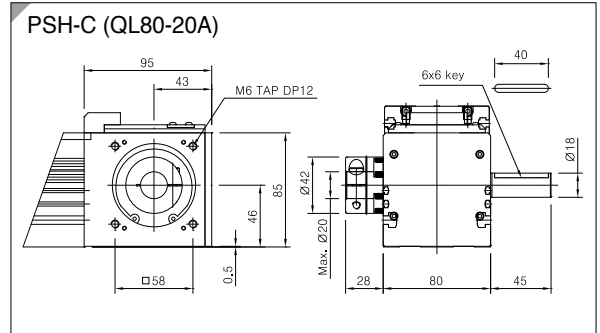
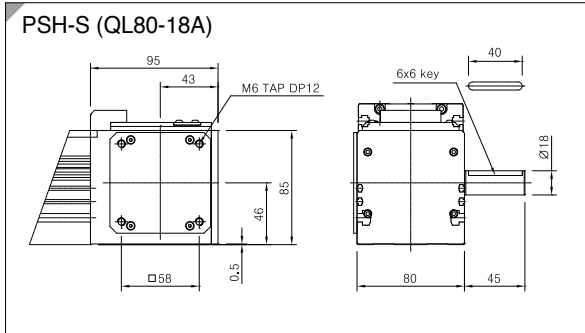


PCP-D (MB60-22A)



QL PULLEY OPTION

■ Pulley of QL80



■ Pulley of QL100

